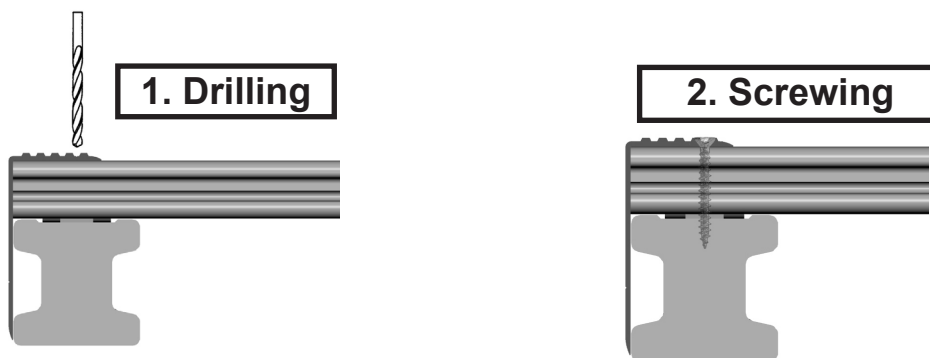


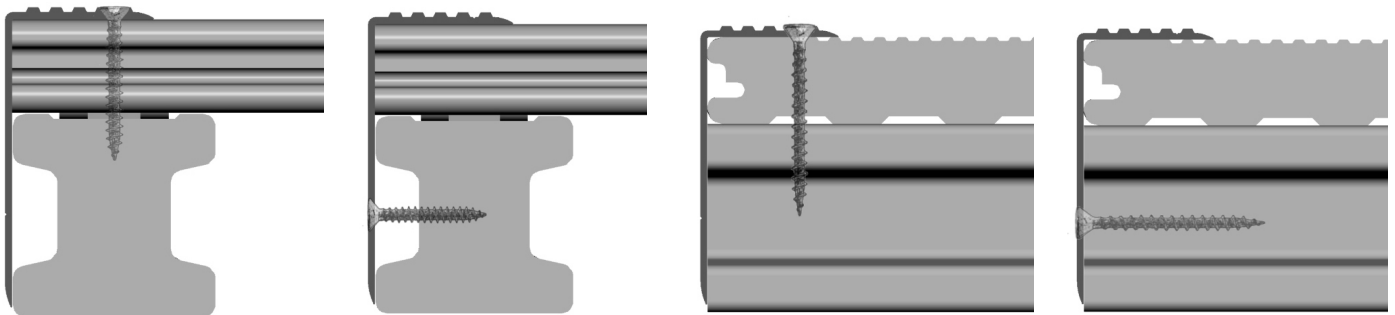
The recommendations of use below complete, and under no circumstances replace, the principles of use of the Silvadec deck board

THE ALUMINIUM ANGLE BOARD (LENGTH 2.00 M)

The aluminium angle board is a finishing accessory used with deck boards and bearers made from Forexia® wood composite. It covers the equivalent of the height of a board and a bearer. The angle board is attached with screws, taking care to pre-drill the angle board, the bearer and possibly the deck board depending on the selected configuration. We advise using stainless steel screws with a diameter less than or equal to 4 mm and with a maximum length of 35 mm.

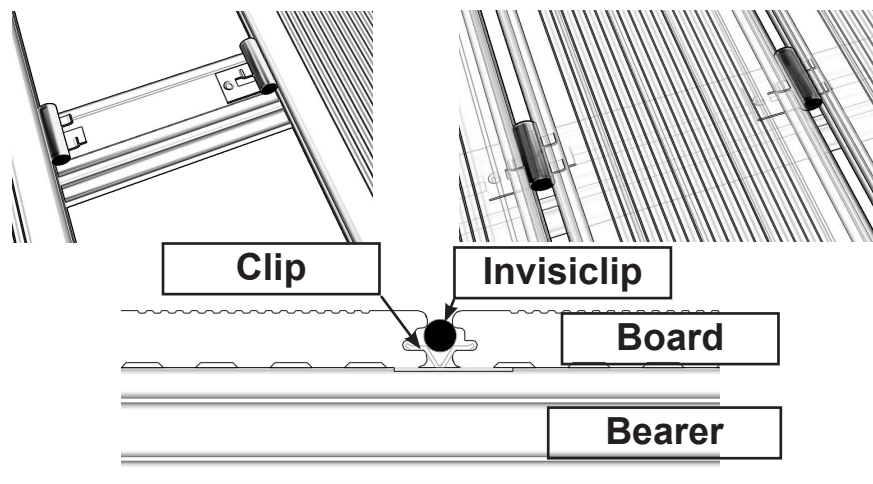


SEVERAL POSSIBLE INSTALLATION CONFIGURATIONS



THE INVISICLIP

The invisiclip is placed between two deck boards on the clips in order to cover them. It is possible to install them during installation or during a later operation.



THE ANTISLIP PROFILE

The antislip profile is destined to be installed with SILVADEC clips. For the best slip resistance, the ideal is to put one antislip profile between each board. Because of abrasive properties of the antislip part, it is forbidden to walk barefoot on this accessory. Be very careful when cutting the profile, and be sure to use tools made for cutting hard materials. The installation can be done with Start and end clip, Single clip as well as Butting clip. The antislip profile is also compatible with the Invisiclip.

Installation with start and end clip



Installation with single clip

